

INTERIORS AND WELDING

SHELL	INTERNAL SHELL FINISH	2B FINISH
	LONGITUDINAL WELDS	AS WELDED
	CIRCULAR WELDS	BOTTOM 500mm GROUND FLUSH & POLISHED REMAINDER POLISHED TO 180 GRIT (Ra=1.3µm MAX.)
	DISHED ENDS	POLISHED TO 180 GRIT (Ra=1.3µm MAX.)
	INTERNAL SURFACE	GROUND FLUSH
	WELD SEAMS	
	CLEANING	
ON COMPLETION OF FABRICATION, THE VESSELS INTERNAL SURFACE IS TO BE DECREASED, PICKLED, PASSIVATED AND NEUTRALISED. A WHITE CLOTH TEST IS TO BE PERFORMED ON THE INTERNAL SURFACE TO CHECK FOR CLEANLINESS. THE OPENING POINTS ARE TO BE SEALED SO THAT THE VESSEL IS SUPPLIED CLEAN AND READY FOR USE. A CLEANING CERTIFICATE IS TO BE PROVIDED IN THE DOCUMENT HOLDER.		

FORT VALE 2 1/2" SUPER MAXI HIGHFLOW RELIEF VALVE(S):

QUANTITY OF VALVES 1 2 3 4

MODEL PRESSURE ONLY WITHOUT GAUGE PRESS/VIC WITH GAUGE

FIRE SHIELD YES NO

BURST DISC PROVISION NO

MANOMETER PROVISION NO

REDUCTION FACTORS IF APPLICABLE

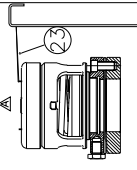
FIRE SHIELD 1% : RF=0.99

BURST DISC 10% : RF=0.90

FULL FLOW RATE OF VALVE = 16036m³/hr

ACTUAL FLOW RATE = QUANTITY x FULL FLOW RATE

= 16036m³/hr



SAFETY VALVE ASSEMBLY

17

4xM16 ON 160 PCD
6xM12 ON 168 PCD
GASKET: KLINGERSIL/PITE

3" TOP DISCHARGE ASSEMBLY

1/2" BTR/GESTRA BALL VALVE
PART No. WY10
PITE GASKET

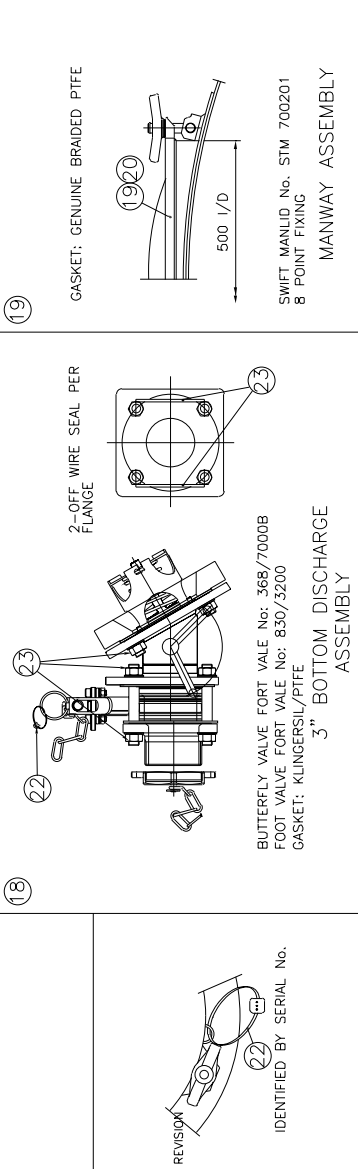
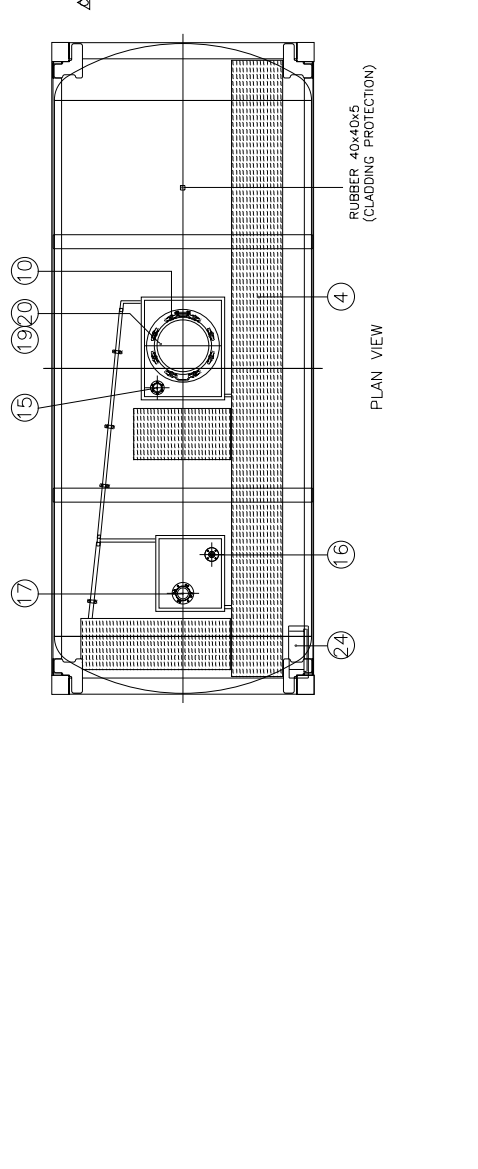
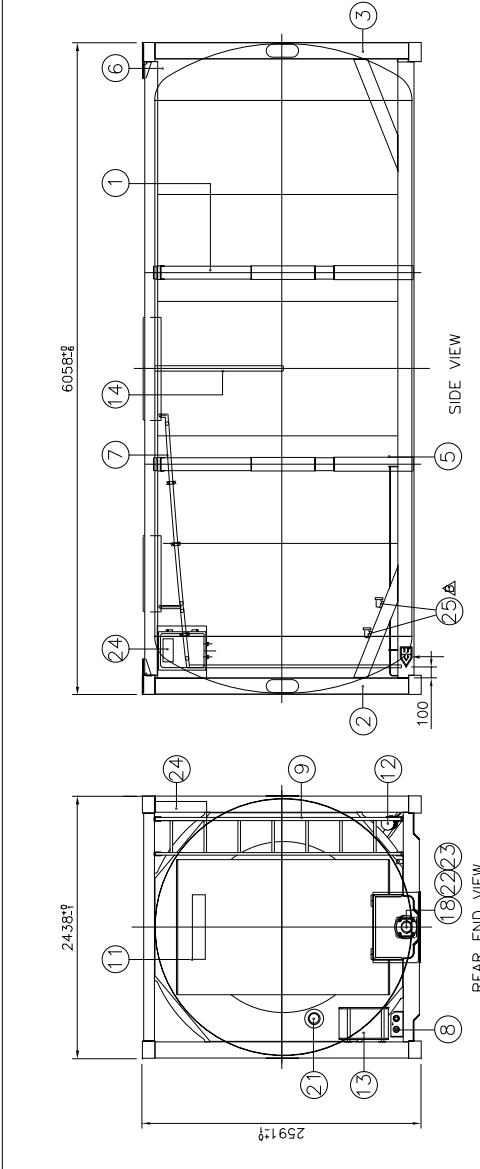
1 1/2" AIR INLET ASSEMBLY

MANWAY SEALING

IDENTIFIED BY SERIAL No.

REVISION C

AUTHORITY	SIGN.	DATE	DESCRIPTION
DRAWN			T-16B/W100 ELECTRICAL PARKING PLUGS ADDED.
DESIGN			
QUALITY ASSURANCE			
CONTRACTS			
INSPECTION AUTHORITY			



MATERIAL SPECIFICATION

C	ASTM	A240	316	O	P.V.C.	J	BRAIDED PITE	Y	ST/STEEL
PARTS LIST									
No.	QTY	MAT	STOCK CODE	DESCRIPTION	DIMENSIONS	REFERENCE			
1	1			TANK DETAILS		8112-02-04			
2	1			REAR FRAME ASSEMBLY		8112-02-10			
3	1			FRONT FRAME ASSEMBLY		8112-02-09			
4	1			WALKWAYS		8112-02-11			
5	1			REMOTE CONTROL		8112-02-			
6	1			INSULATION DETAILS		8112-02-22			
7	1			DRAIN TUBE DETAILS		8112-02-14			
8	1			STEAM HEATING		8112-02-13			
9	1			LADDER DETAIL		CSTD 2414			
10	1			WELD PAD AND SPRING DIMENSION		8112-02-03			
11	1			MARKINGS		8112-02-19			
12	1			DOCUMENT HOLDER FIXING & REAR FRAME ATTACHMENTS		8112-02-15			
13	1			DATA PLATE		8112-02-24			
14	1			CALIBRATED DIPSTICK		CSTD 2157			
15	1			2 1/2" SAFETY RELIEF VALVE ASSEMBLY		8112-02-25			
16	1			1 1/2" AIR INLET ASSEMBLY		8112-02-26			
17	1			3" TOP DISCHARGE ASSEMBLY		8112-02-26			
18	1			3" BOTTOM DISCHARGE ASSEMBLY		8112-02-28			
19	1	C		MANWAY	8 POINT 500 I/D				
20	1	J		MANWAY GASKET					
21	1	Y		THERMOMETER	-20 to 200C; 0 to 400F				
22	2	O		TIR SEAL					
23	9	Y		WIRE SEAL	Ø2x120 LG				
24	1			ELECTRICAL CONTROL BOX					
25	2			PARKING PLUGS					

TECHNICAL DATA

INTERNATIONAL ORGANISATION REGULATIONS: IMCO-MSC 1990 (SOLAS) / IEC 60309-1 (SPECIAL REQUIREMENTS) / IEC 60309-2 (SPECIAL REQUIREMENTS) / IEC 60309-3 (SPECIAL REQUIREMENTS) / IEC 60309-4 (SPECIAL REQUIREMENTS) / IEC 60309-5 (SPECIAL REQUIREMENTS) / IEC 60309-6 (SPECIAL REQUIREMENTS) / IEC 60309-7 (SPECIAL REQUIREMENTS) / IEC 60309-8 (SPECIAL REQUIREMENTS) / IEC 60309-9 (SPECIAL REQUIREMENTS) / IEC 60309-10 (SPECIAL REQUIREMENTS) / IEC 60309-11 (SPECIAL REQUIREMENTS) / IEC 60309-12 (SPECIAL REQUIREMENTS) / IEC 60309-13 (SPECIAL REQUIREMENTS) / IEC 60309-14 (SPECIAL REQUIREMENTS) / IEC 60309-15 (SPECIAL REQUIREMENTS) / IEC 60309-16 (SPECIAL REQUIREMENTS) / IEC 60309-17 (SPECIAL REQUIREMENTS) / IEC 60309-18 (SPECIAL REQUIREMENTS) / IEC 60309-19 (SPECIAL REQUIREMENTS) / IEC 60309-20 (SPECIAL REQUIREMENTS) / IEC 60309-21 (SPECIAL REQUIREMENTS) / IEC 60309-22 (SPECIAL REQUIREMENTS) / IEC 60309-23 (SPECIAL REQUIREMENTS) / IEC 60309-24 (SPECIAL REQUIREMENTS) / IEC 60309-25 (SPECIAL REQUIREMENTS) / IEC 60309-26 (SPECIAL REQUIREMENTS) / IEC 60309-27 (SPECIAL REQUIREMENTS) / IEC 60309-28 (SPECIAL REQUIREMENTS) / IEC 60309-29 (SPECIAL REQUIREMENTS) / IEC 60309-30 (SPECIAL REQUIREMENTS) / IEC 60309-31 (SPECIAL REQUIREMENTS) / IEC 60309-32 (SPECIAL REQUIREMENTS) / IEC 60309-33 (SPECIAL REQUIREMENTS) / IEC 60309-34 (SPECIAL REQUIREMENTS) / IEC 60309-35 (SPECIAL REQUIREMENTS) / IEC 60309-36 (SPECIAL REQUIREMENTS) / IEC 60309-37 (SPECIAL REQUIREMENTS) / IEC 60309-38 (SPECIAL REQUIREMENTS) / IEC 60309-39 (SPECIAL REQUIREMENTS) / IEC 60309-40 (SPECIAL REQUIREMENTS) / IEC 60309-41 (SPECIAL REQUIREMENTS) / IEC 60309-42 (SPECIAL REQUIREMENTS) / IEC 60309-43 (SPECIAL REQUIREMENTS) / IEC 60309-44 (SPECIAL REQUIREMENTS) / IEC 60309-45 (SPECIAL REQUIREMENTS) / IEC 60309-46 (SPECIAL REQUIREMENTS) / IEC 60309-47 (SPECIAL REQUIREMENTS) / IEC 60309-48 (SPECIAL REQUIREMENTS) / IEC 60309-49 (SPECIAL REQUIREMENTS) / IEC 60309-50 (SPECIAL REQUIREMENTS) / IEC 60309-51 (SPECIAL REQUIREMENTS) / IEC 60309-52 (SPECIAL REQUIREMENTS) / IEC 60309-53 (SPECIAL REQUIREMENTS) / IEC 60309-54 (SPECIAL REQUIREMENTS) / IEC 60309-55 (SPECIAL REQUIREMENTS) / IEC 60309-56 (SPECIAL REQUIREMENTS) / IEC 60309-57 (SPECIAL REQUIREMENTS) / IEC 60309-58 (SPECIAL REQUIREMENTS) / IEC 60309-59 (SPECIAL REQUIREMENTS) / IEC 60309-60 (SPECIAL REQUIREMENTS) / IEC 60309-61 (SPECIAL REQUIREMENTS) / IEC 60309-62 (SPECIAL REQUIREMENTS) / IEC 60309-63 (SPECIAL REQUIREMENTS) / IEC 60309-64 (SPECIAL REQUIREMENTS) / IEC 60309-65 (SPECIAL REQUIREMENTS) / IEC 60309-66 (SPECIAL REQUIREMENTS) / IEC 60309-67 (SPECIAL REQUIREMENTS) / IEC 60309-68 (SPECIAL REQUIREMENTS) / IEC 60309-69 (SPECIAL REQUIREMENTS) / IEC 60309-70 (SPECIAL REQUIREMENTS) / IEC 60309-71 (SPECIAL REQUIREMENTS) / IEC 60309-72 (SPECIAL REQUIREMENTS) / IEC 60309-73 (SPECIAL REQUIREMENTS) / IEC 60309-74 (SPECIAL REQUIREMENTS) / IEC 60309-75 (SPECIAL REQUIREMENTS) / IEC 60309-76 (SPECIAL REQUIREMENTS) / IEC 60309-77 (SPECIAL REQUIREMENTS) / IEC 60309-78 (SPECIAL REQUIREMENTS) / IEC 60309-79 (SPECIAL REQUIREMENTS) / IEC 60309-80 (SPECIAL REQUIREMENTS) / IEC 60309-81 (SPECIAL REQUIREMENTS) / IEC 60309-82 (SPECIAL REQUIREMENTS) / IEC 60309-83 (SPECIAL REQUIREMENTS) / IEC 60309-84 (SPECIAL REQUIREMENTS) / IEC 60309-85 (SPECIAL REQUIREMENTS) / IEC 60309-86 (SPECIAL REQUIREMENTS) / IEC 60309-87 (SPECIAL REQUIREMENTS) / IEC 60309-88 (SPECIAL REQUIREMENTS) / IEC 60309-89 (SPECIAL REQUIREMENTS) / IEC 60309-90 (SPECIAL REQUIREMENTS) / IEC 60309-91 (SPECIAL REQUIREMENTS) / IEC 60309-92 (SPECIAL REQUIREMENTS) / IEC 60309-93 (SPECIAL REQUIREMENTS) / IEC 60309-94 (SPECIAL REQUIREMENTS) / IEC 60309-95 (SPECIAL REQUIREMENTS) / IEC 60309-96 (SPECIAL REQUIREMENTS) / IEC 60309-97 (SPECIAL REQUIREMENTS) / IEC 60309-98 (SPECIAL REQUIREMENTS) / IEC 60309-99 (SPECIAL REQUIREMENTS) / IEC 60309-100 (SPECIAL REQUIREMENTS)

GENERAL ARRANGEMENT

24 000 LITRE

MODEL HO3

SCALE 1:25

CLIENT DCI/TANKSPAN

WORKS DRAWN ACM

CHECKED

DATE 18/07/02

ORDER 8112

REVISION C

CONSANI ENGINEERING (PTY) LTD

ELISES RIVER, CAPE SOUTH AFRICA

TEL. 590-5600

FAX. 591-2825

INTERMODAL CONTAINERS

CAD: 811200

NOMINAL DIMENSIONS (SHORT SIDE OF TRIANGLE)

LENGTH & MINUTES	APPROX. WEIGHT	APPROX. WEIGHT	APPROX. WEIGHT	APPROX. WEIGHT	APPROX. WEIGHT	APPROX. WEIGHT	APPROX. WEIGHT	APPROX. WEIGHT
100	315	1000	1000	1000	1000	1000	1000	1000
200	315	1000	1000	1000	1000	1000	1000	1000
300	315	1000	1000	1000	1000	1000	1000	1000
400	315	1000	1000	1000	1000	1000	1000	1000
500	315	1000	1000	1000	1000	1000	1000	1000
600	315	1000	1000	1000	1000	1000	1000	1000
700	315	1000	1000	1000	1000	1000	1000	1000
800	315	1000	1000	1000	1000	1000	1000	1000
900	315	1000	1000	1000	1000	1000	1000	1000
1000	315	1000	1000	1000	1000	1000	1000	1000

DIN 8570 PART 1

FROM 0-30 TOLERANCE ±1