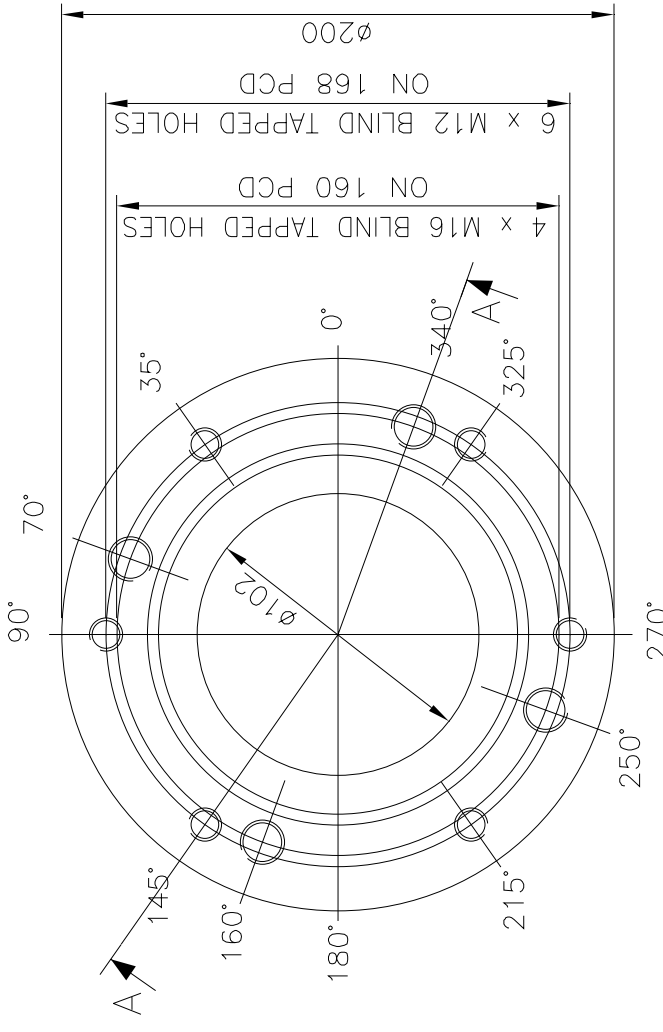


MATERIAL SPECIFICATION

C	ASTM A240 316 OR 316L
---	-----------------------



N8 / ALL OVER
U.O.S.

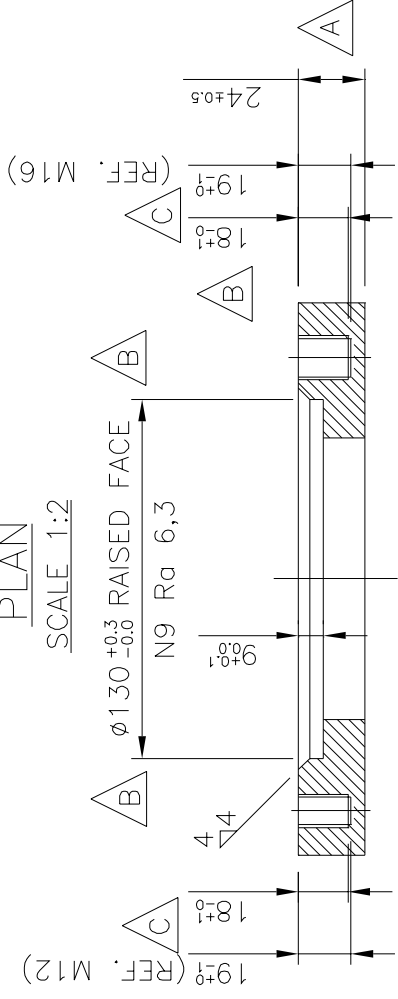


NOTE:

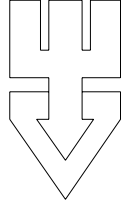
FLANGES TOLERANCED TO ANSI B16.5 U.O.S.
REMOVE ALL SHARP EDGES AND BURRS
PICKLE & PASSIVATE FLANGE

DO NOT SCALE DRAWING

PLAN
SCALE 1:2



SECTION A-A SCALE 1:2

1	1	C	8031	FLANGE Ex PL25 x 102 I/D x 200 O/D	REF
ITEM QTY		MAT	BOP Pg/No	DESCRIPTION	REF
PARTS LIST					
			CONSANI ENGINEERING (PTY) LTD ELSIES RIVER, CAPE TEL: 590-3400 SOUTH AFRICA FAX: 591-2825		
INTERMODAL CONTAINERS			THIS DRAWING AND INFORMATION IS THE PROPERTY OF CONSANI ENGINEERING (PTY) LTD AND MAY NOT BE REVEALED TO ANY THIRD PARTY WITHOUT OUR WRITTEN PERMISSION. CAD:		

REVISION C			REVISION B			DRAWING APPROVAL			
AUTHORITY	SIGN.	DATE	DESCRIPTION	AUTHORITY	SIGN.	DATE	AUTHORITY	SIGNATURE	DATE
DRAWN	S.G	27/7/98	HOLE DEPTHS REVISED.	DRAWN	S.N.	26/11	DESIGN	S.E.	23/3/94
DESIGN	E.M	27/7/98		DESIGN	E.M	26/11	QUALITY ASSURANCE	P.B.	7/4/94
QUALITY ASSURANCE				QUALITY ASSURANCE			CONTRACTS	M.H.	7/4/94
CONTRACTS	A.C	27/7/98		CONTRACTS	A.C	26/11	INSPECTION AUTHORITY		
INSPECTION AUTHORITY				INSPECTION AUTHORITY			CLIENT		

3" (80 NB)
TOP DISCHARGE WELD PAD

CLIENT	SCALE	1:2	DRAWING No.	REV
W.O.	DRAWN	K.E.	CSTD 1008	C
	CHECKED			
	DATE	28/02/96		